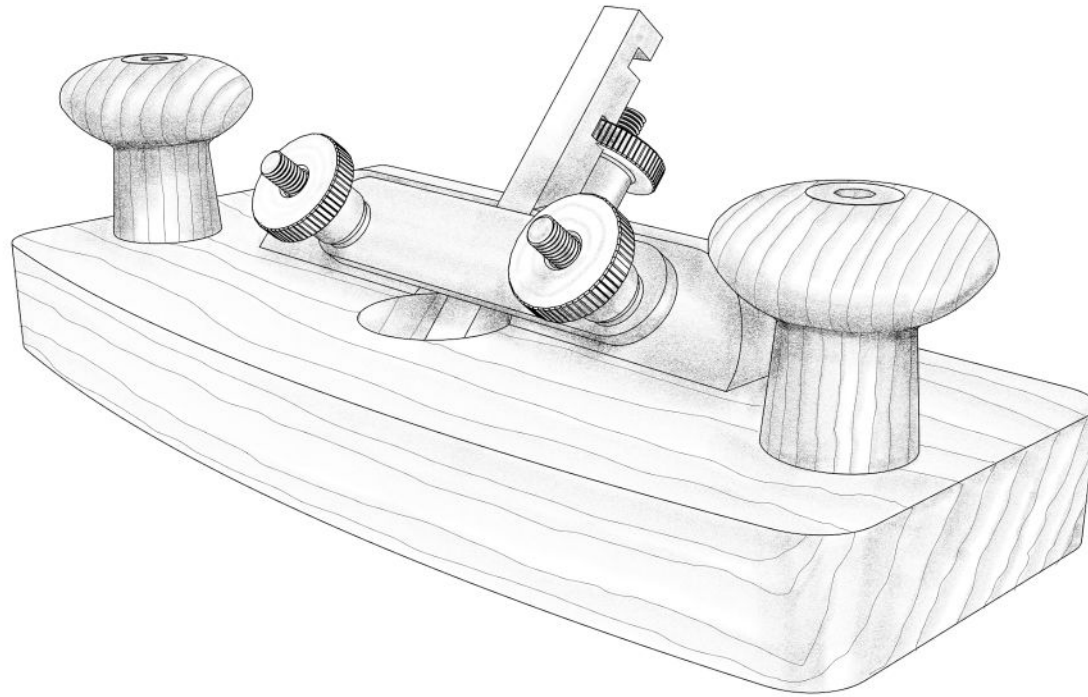
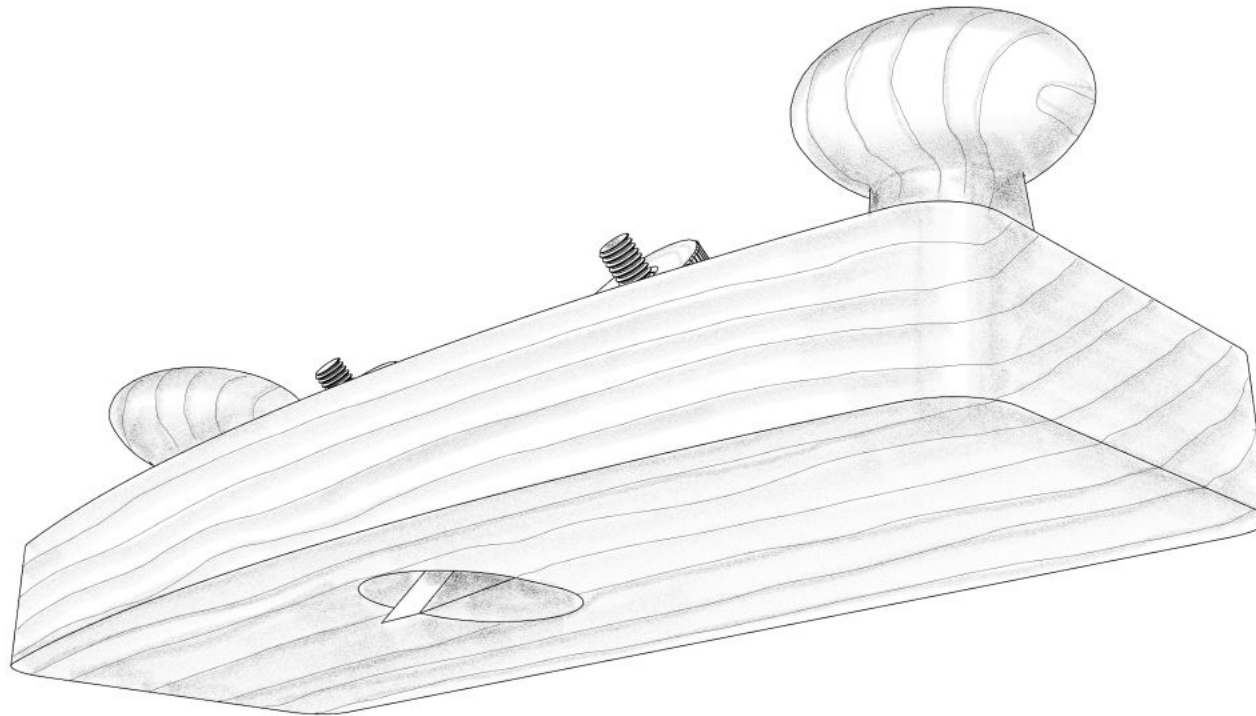


Paul Sellers

— A LIFESTYLE WOODWORKER —



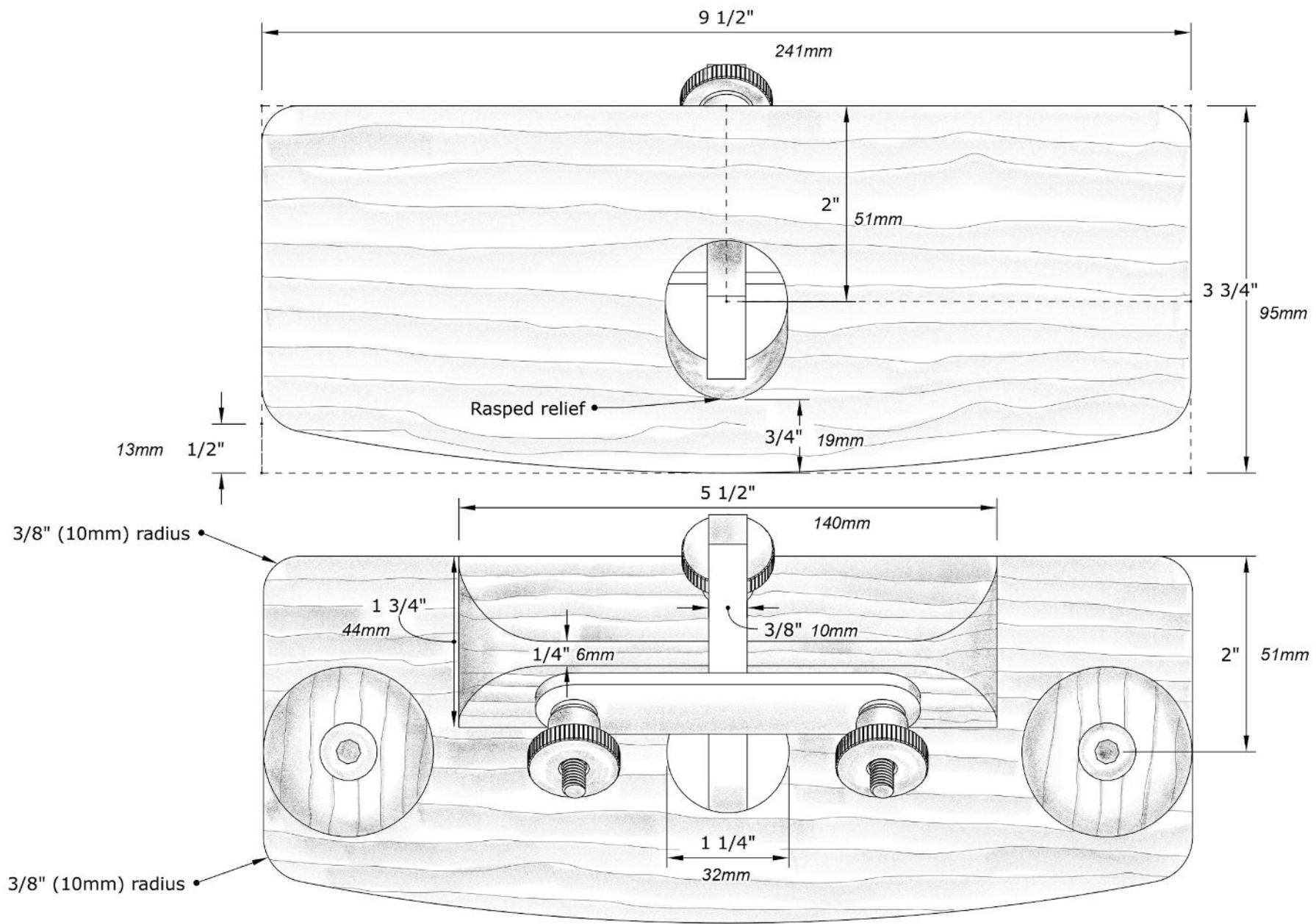
THE PAUL SELLERS ROUTER PLANE

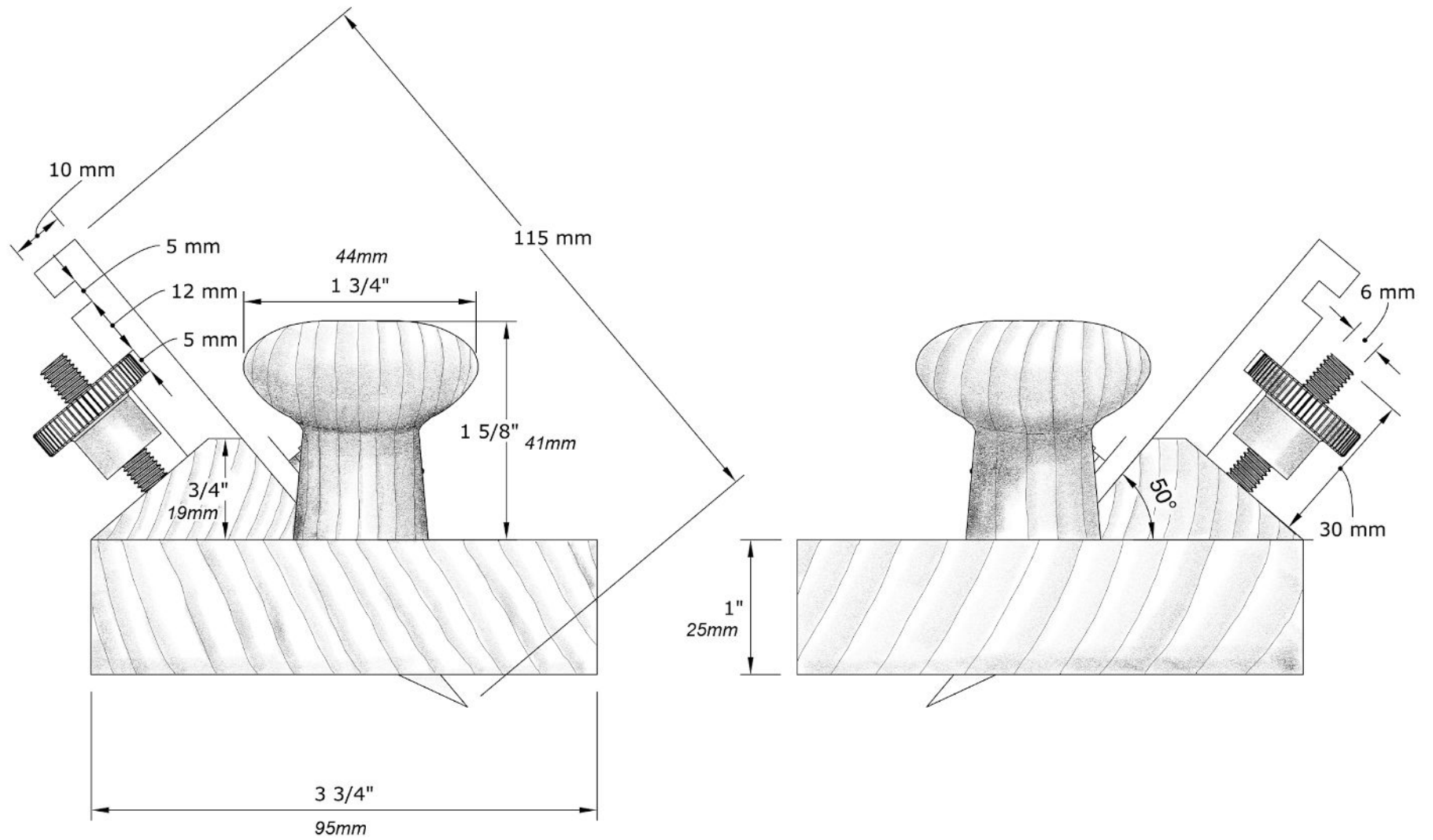


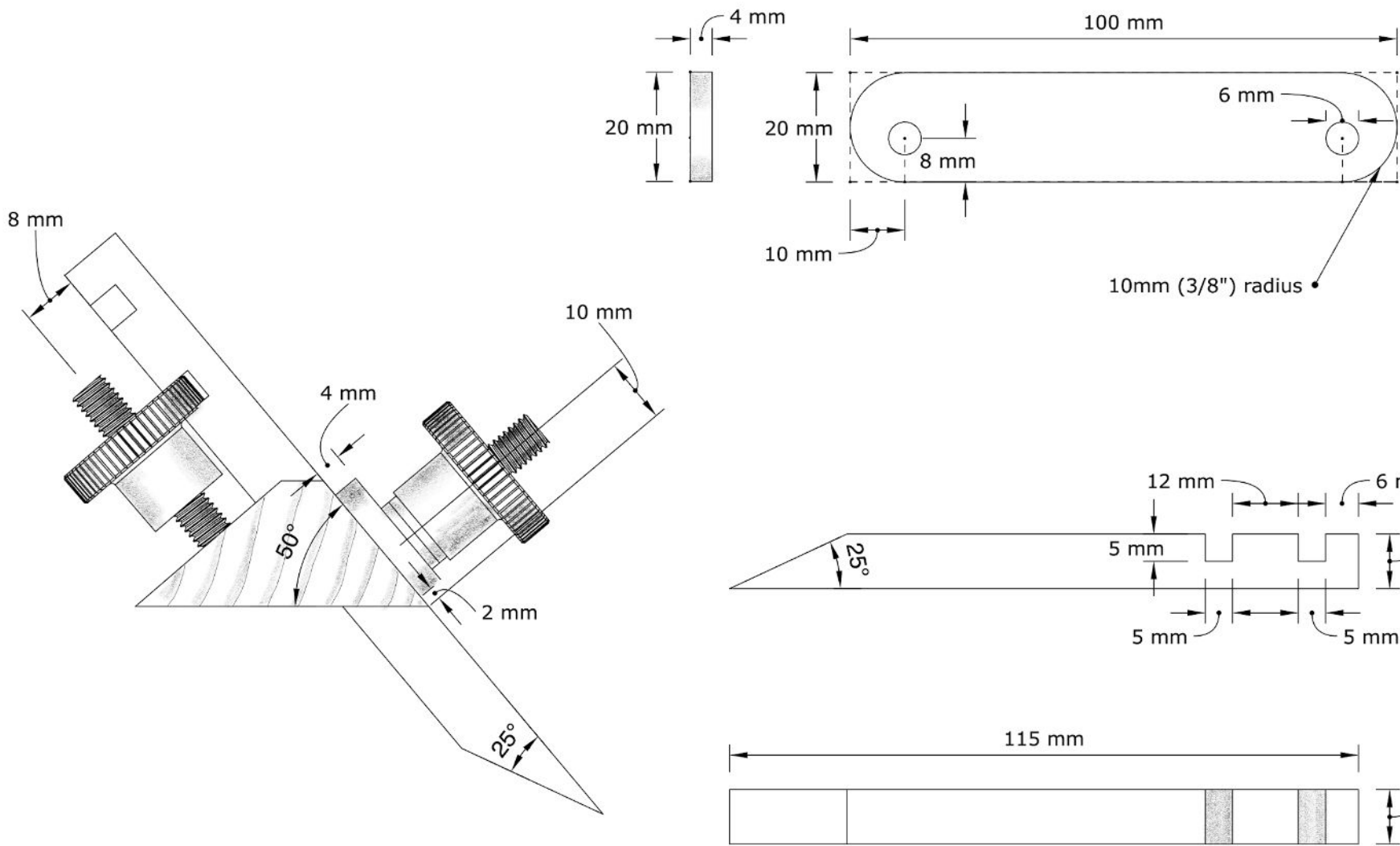
This router plane design (including the accompanying illustrations of it and instructions for making it) - together 'the Design Materials' - are protected by intellectual property rights such as copyright and unregistered design rights which are owned by Paul Sellers / Roksmith.

Paul is happy for you to use the Design Materials for personal non-commercial use to make this plane for yourself, your friends and family. You are not permitted to directly or indirectly sell, licence, make derivative works from or otherwise commercially exploit all or any part of the Design Materials or Paul Sellers' name in any way or to encourage or allow any other person to do so.

Paul reserves all rights to take legal action against any person using his Design Materials or his name in ways not expressly permitted by him.







QUANTITY	SIZE	PART	TYPE	NOTES
5	60mm	Hanger Bolts	M6	These are also called metal dowels, wood to metal connectors and a variety of other things. They are M6 thread on one end for 30mm and wood screw on the other for 30mm.
2	17mm	Connector Nuts	M6	These retain the handles. We found something similar which worked just as well called a 'book nut' which had a flat head rather than a hex head.
1	20mm x 4mm x 100mm	Retainer Bar	Flat Bar Steel	This can just be mild steel. Sometimes it is available painted which works fine.
1	10mm x 10mm x 115mm	Blade	O1 Tool Steel	Usually you will need to buy this in a much longer length than required.
3	DIN 466	Thumb Nuts	M6 - High Type	The 'DIN 466' is a standard component shape which we found was readily available from multiple sources.
2		Split Washers	M6	These are just standard components and they are also sometimes called 'spring washers'.
4		Washers	M6	
2	1 3/4" 44mm	Wooden Handles	Beech (or other hard wood)	We modified some standard beech cupboard handles.
1	9 1/2" x 3 3/4" x 1" 241mm x 95mm x 25mm	Body	Beech (or other hard wood)	
1	5 1/2" x 1 3/4" x 3/4" 140mm x 44mm x 19mm	Upstand	Beech (or other hard wood)	